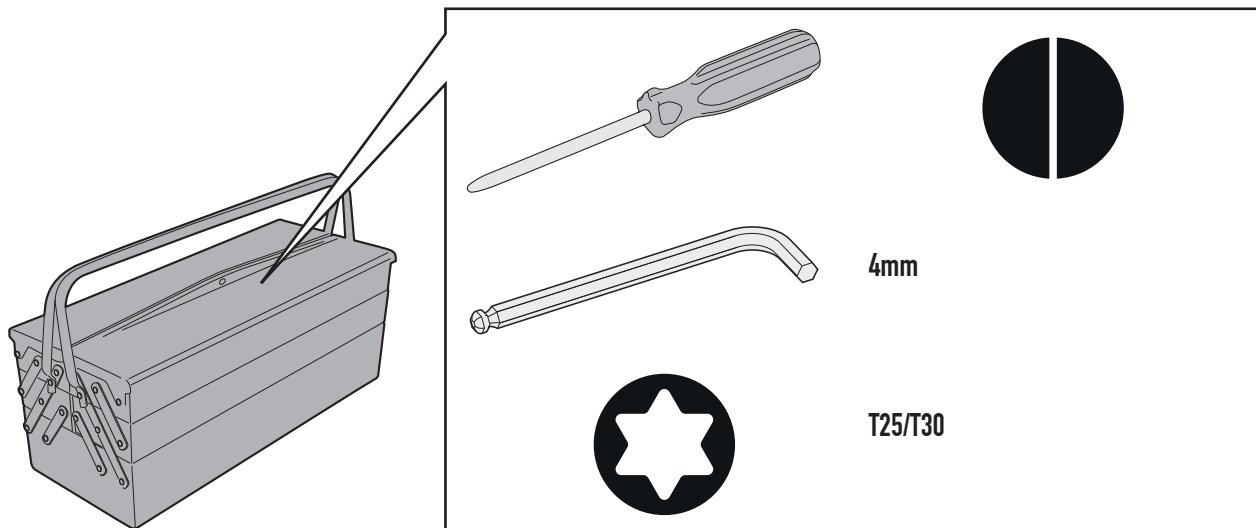
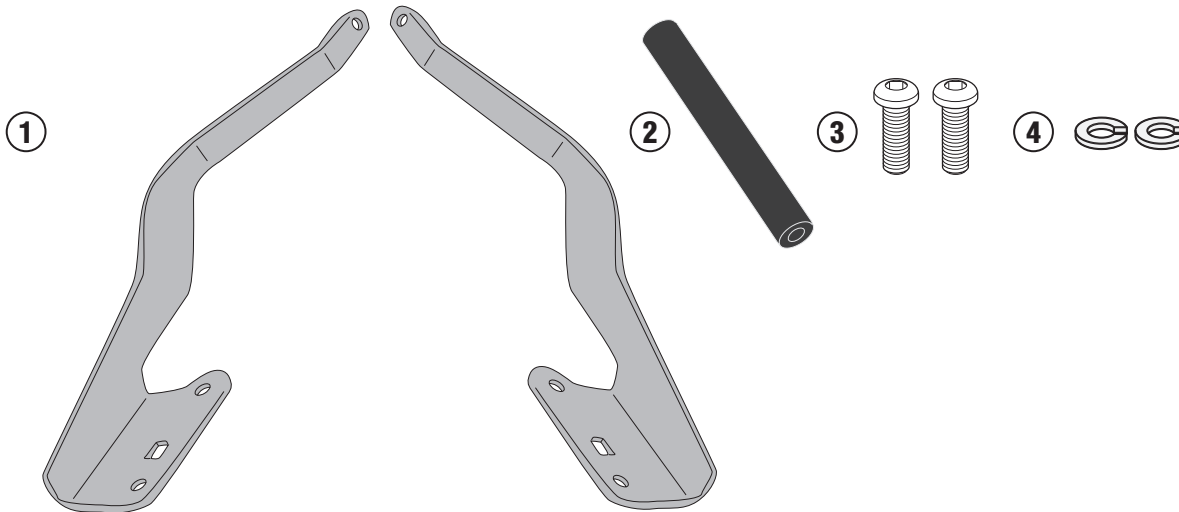


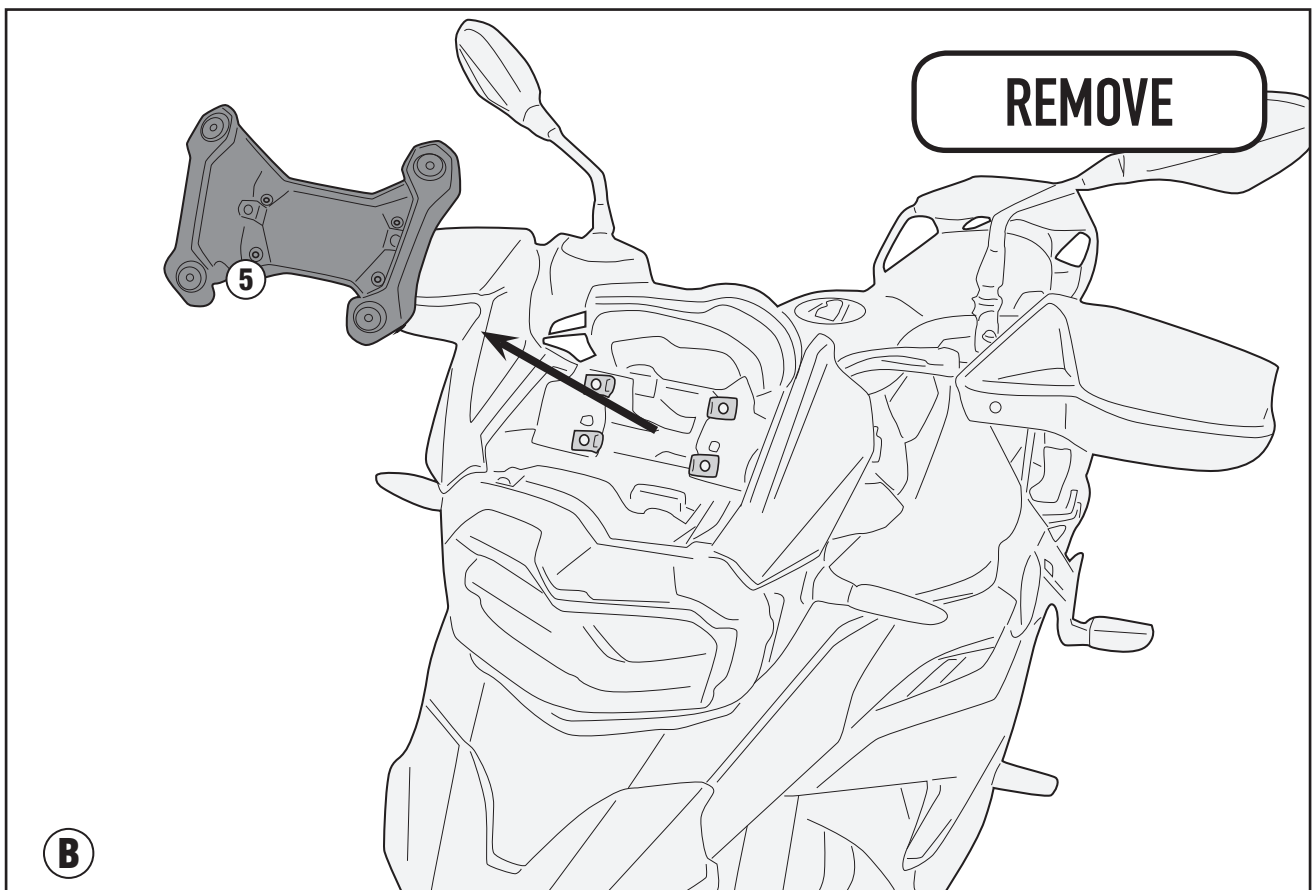
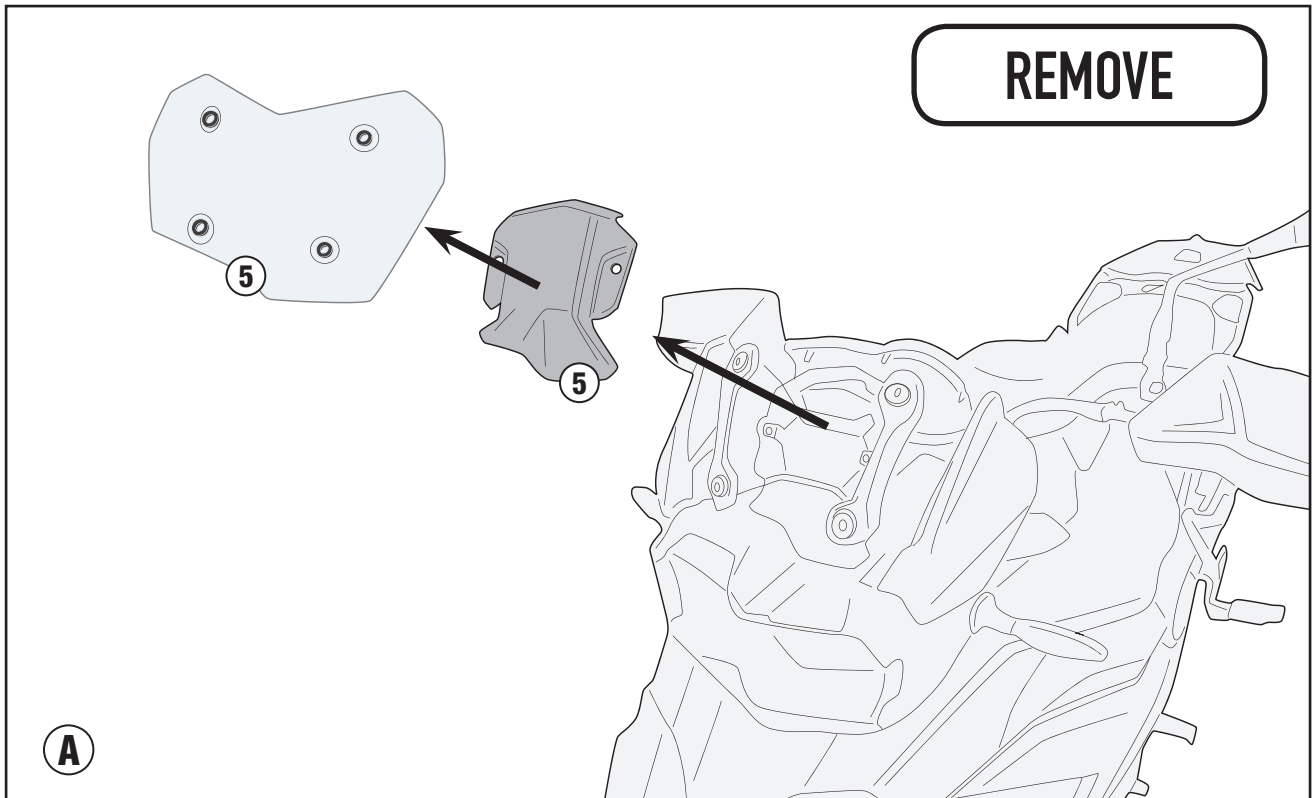
FB5127 - KFB5127

Traversino - Fairing upper bracket - Support gps pour carenage - Barra -
 Halterung zur montage am windschild - Suporte
BMW F750GS (2018)/ BMW F850GS (2018)

N°	Descrizione	Caratteristiche	Codice	Quantità
1	Supporto laterale - Lower frame Support latéral - Soporte lateral Untere Halterung - Suporte lateral	-	GL4022DXV GL4022SXV	2 (Right/Left)
2	Supporto - Support - Support Halterung - Soporte - Apoio	-	GNB1819V	1
3	Vite - Screw Vis - Schraube Tornillo - Parafuso	TBEIFF M6x16	616TBEIFF	2
4	Rondella spaccata - Split washer Scheibe - Rondelle fendue Arandela seccionada - Arruela quebrada	Ø6	Z1063	2
5	Componenti Originali - Original Parts Parties Originales - Original Bauteile Componentes Originales - Componentes Originais	-	-	-

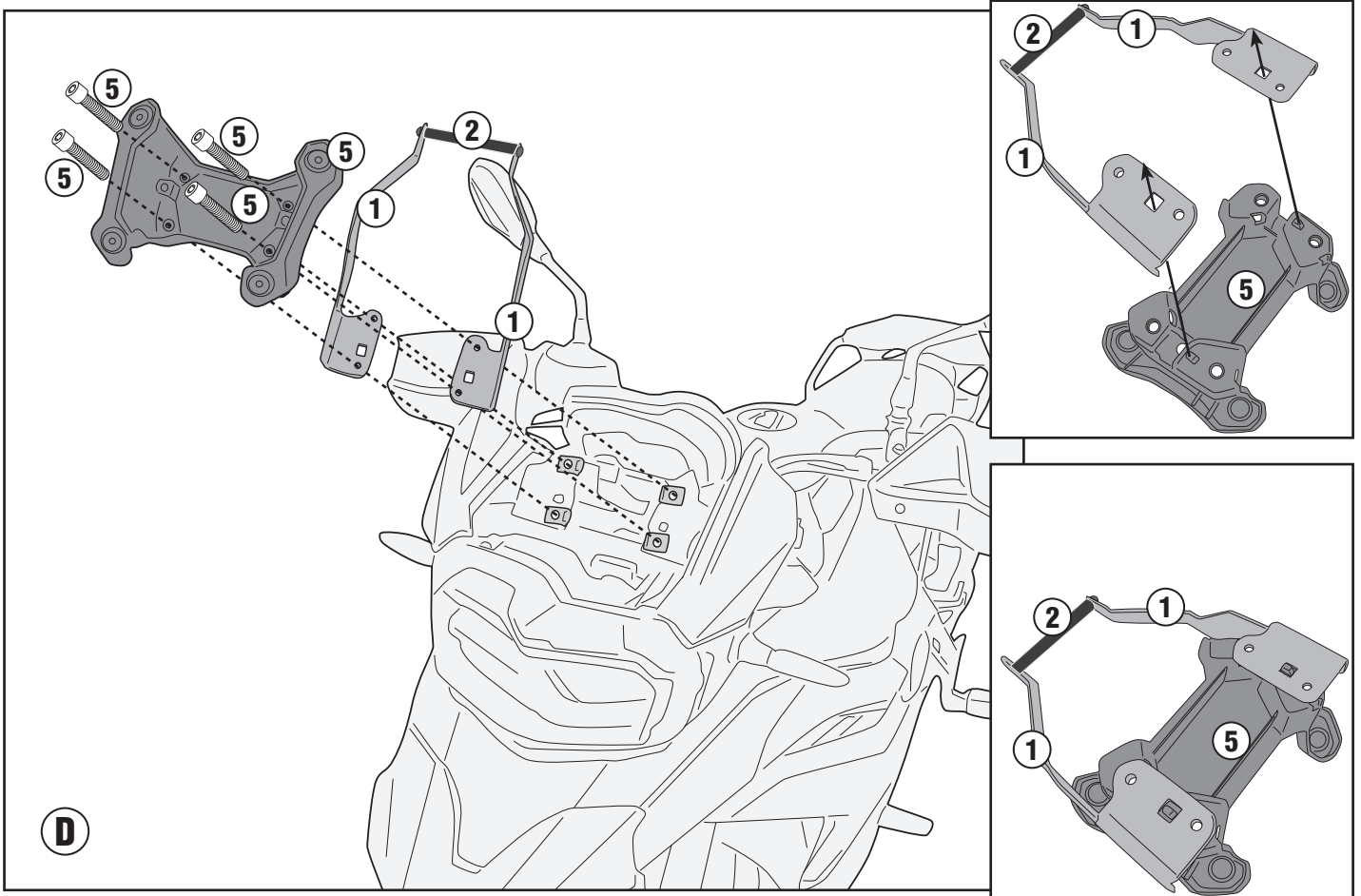
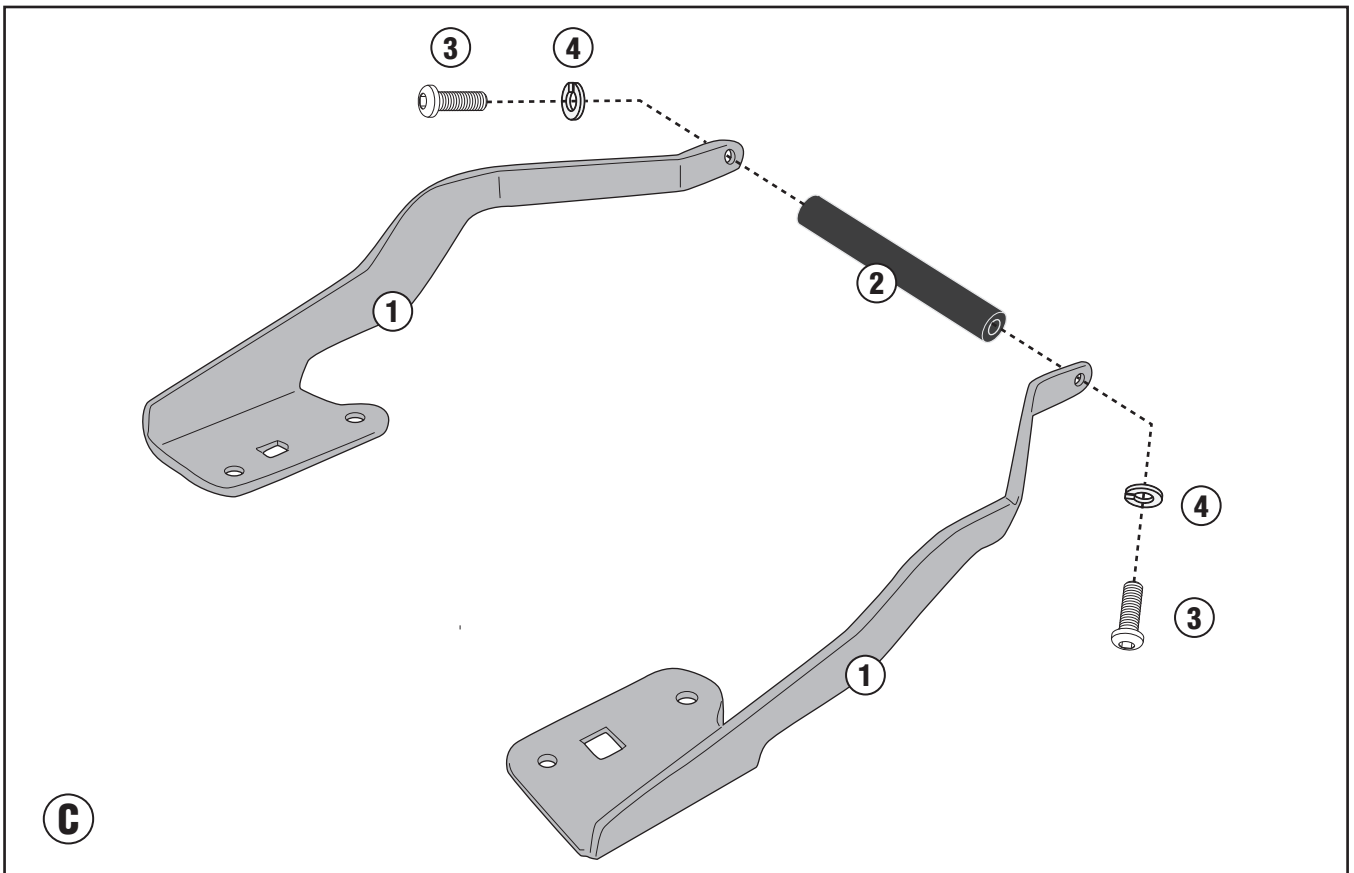


FB5127 - KFB5127
Traversino - Fairing upper bracket - Support gps pour carenage - Barra -
Halterung zur montage am windschild - Suporte
BMW F750GS (2018)/ BMW F850GS (2018)



FB5127 - KFB5127

Traversino - Fairing upper bracket - Support gps pour carenage - Barra -
 Halterung zur montage am windschild - Suporte
BMW F750GS (2018)/ BMW F850GS (2018)



FB5127 - KFB5127
Traversino - Fairing upper bracket - Support gps pour carenage - Barra -
Halterung zur montage am windschild - Suporte
BMW F750GS (2018)/ BMW F850GS (2018)

