

FB7408 – KFB7408
TRAVERSINO – FAIRING UPPER BRACKET – SUPPORT GPS POUR CARENAGE – BARRA –
HALTERUNG ZUR MONTAGE AM WINDSCHILD – SUPORTE
DUCATI DUCATI MULTISTRADA 950-1200-1200S (2015 – 2017)
DUCATI DUCATI MULTISTRADA 1200 ENDURO (2015 – 2017)

N°	Descrizione	Caratteristiche	Codice	Quantità
1	Supporto - Support - Support Halterung - Soporte - Apoio	-	GL3564DX GL3564SX	2 (Dx-Sx)
2	Traversino - Fairing Upper Bracket - Support Gps Pour Carenage - Barra - Halterung Zur Montage Am Windschild - Suporte	-	GNB1824	1
3	Vite - Screw Vis - Schraube Tornillo - Parafuso	TCEIX M5x25	525TCEIX	3
4	Vite - Screw Vis - Schraube Tornillo - Parafuso	TBEIFF M6x16	616TBEIFF	2
5	Rondella - Washer - Rondelle Scheibe - Arandela - Arruela	-	Z1063	2
6	Boccola - Mounting bush - Entretoise de montage Cilindro de fijación - Montagehülse - Bucha de fixação	-	V947	3
7	Distanziale - Spacer Entretoise - Distanzstueck - Distanciador	Ø20x3 Foro 6,5	C20L3F6,5T	1
8	Componenti Originali - Original Parts Parties Originales - Original Bauteile Componentes Originales - Componentes Originais	-	-	-

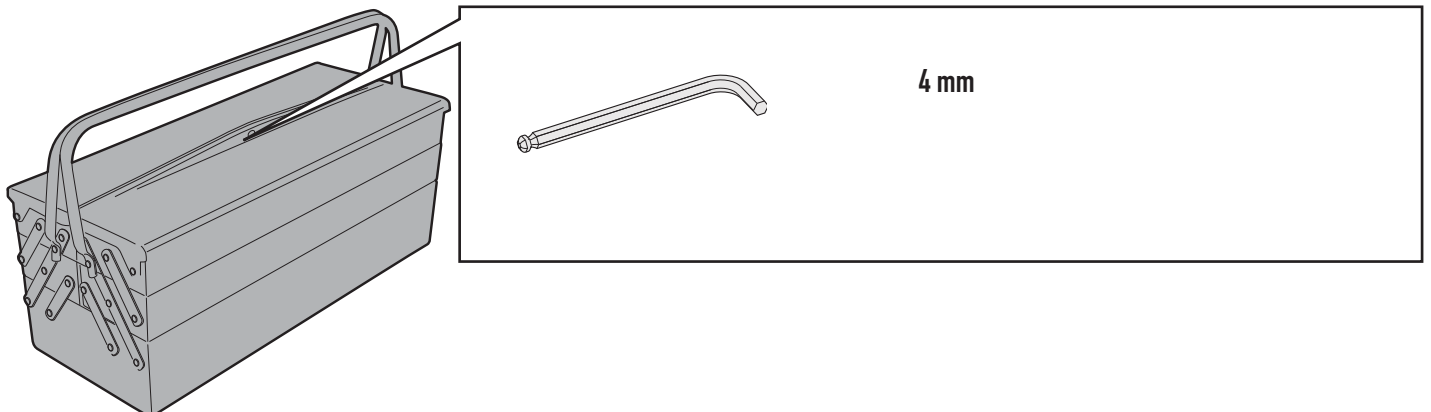
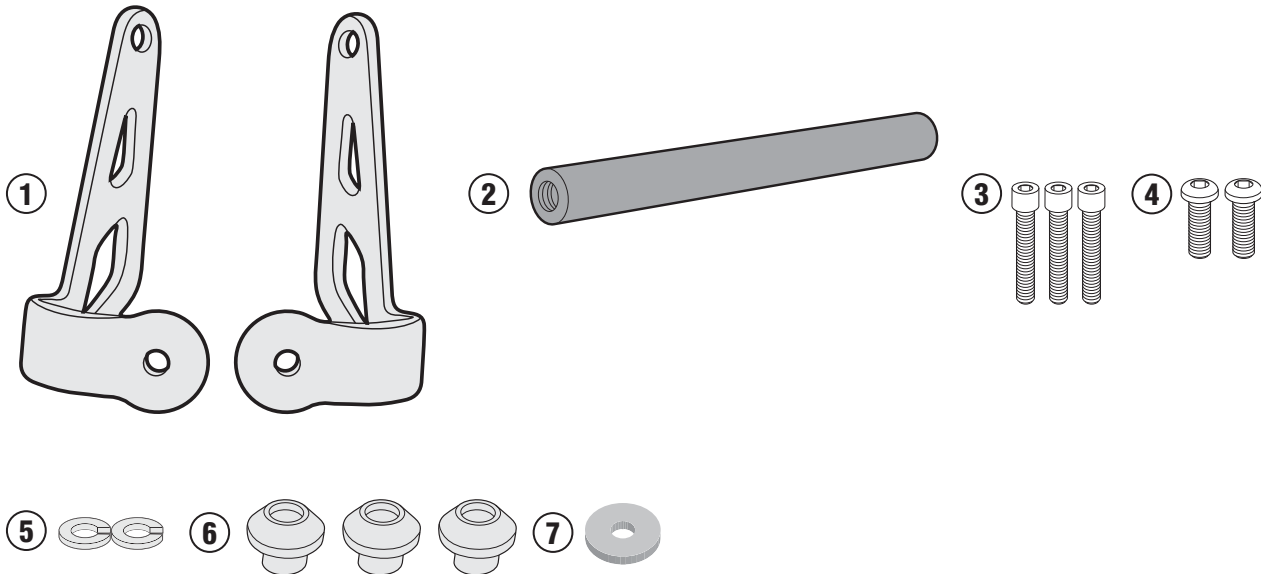
FB7408 - KFB7408

TRAVERSINO - FAIRING UPPER BRACKET - SUPPORT GPS POUR CARENAGE - BARRA -

HALTERUNG ZUR MONTAGE AM WINDSCHILD - SUPORTE

DUCATI DUCATI MULTISTRADA 950-1200-1200S (2015 - 2017)

DUCATI DUCATI MULTISTRADA 1200 ENDURO (2015 - 2017)



FB7408 - KFB7408

TRAVERSINO - FAIRING UPPER BRACKET - SUPPORT GPS POUR CARENAGE - BARRA -

HALTERUNG ZUR MONTAGE AM WINDSCHILD - SUPORTE

DUCATI DUCATI MULTISTRADA 950-1200-1200S (2015 - 2017)

DUCATI DUCATI MULTISTRADA 1200 ENDURO (2015 - 2017)

