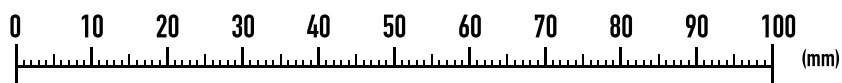


MG532 - KMG532 /MG3101 - KMG3101

PARAFANGO / COPRICATENA - MUDGUARD / CHAIN-COVER - PASSAGE DE ROUE / PAER-CHAINE
KETTENSCHUTZ - GUARDABARROS / CUBRECADENA - PARALAMA

SUZUKI V-STROM 650 (2004 - 2011) - SUZUKI V-STROM 650 (2017) / SUZUKI V-STROM 650 (2011 - 2016)

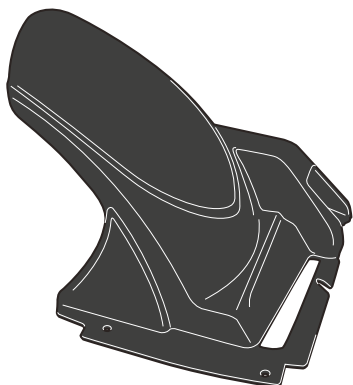
N°	Descrizione	Caratteristiche	Codice	Quantità	
1	Parafango - Mudguard - Passage De Roue Kettenschutz - Guardabarros - Paralama	-	-	1	
2	Vite - Screw Vis - Schraube Tornillo - Parafuso	TBEI M5x16	516TBEI	1	
3	Vite - Screw Vis - Schraube Tornillo - Parafuso	TEF M6x20	620TEF	1	
4	Rondella - Washer Rondelle - Scheibe Arandela - Arruela	Ø5	5RON	1	
5	Componenti Originali - Original Parts Parties Originales - Original Bauteile Componentes Originales - Componentes Originais	-	-	-	-



MG532 - KMG532 / MG3101 - KMG3101

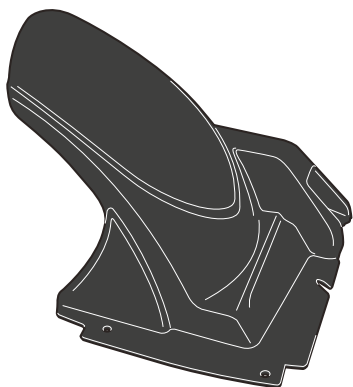
PARAFANGO / COPRICATENA - MUDGUARD / CHAIN-COVER - PASSAGE DE ROUE / PAER-CHAINE
KETTENSCHUTZ - GUARDABARROS / CUBRECADENA - PARALAMA

SUZUKI V-STROM 650 (2004 - 2011) - SUZUKI V-STROM 650 (2017) / SUZUKI V-STROM 650 (2011 - 2016)



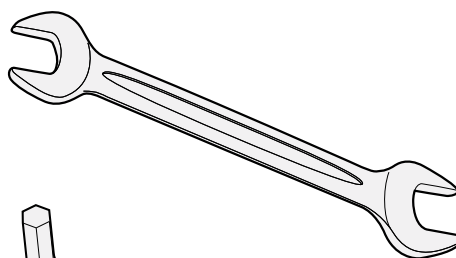
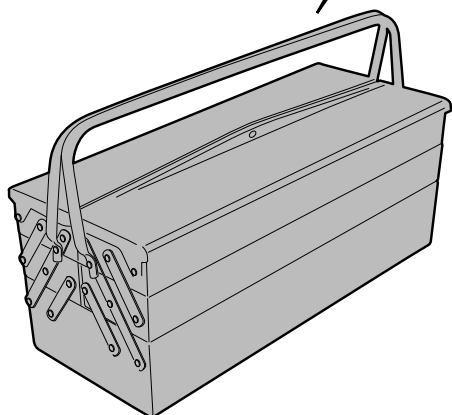
MG532

SUZUKI V-STROM 650 (2004 - 2011)
SUZUKI V-STROM 650 (2017)

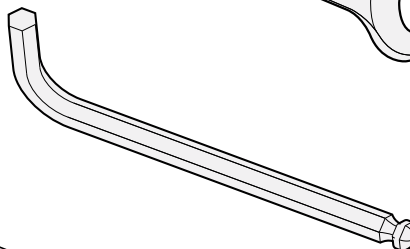


M3101

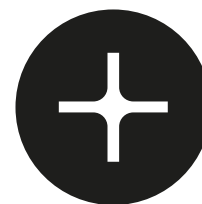
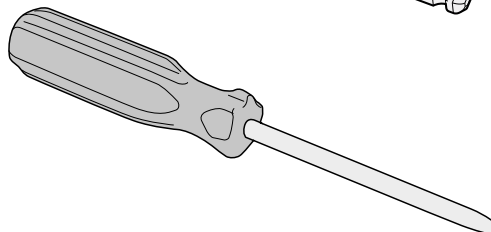
SUZUKI V-STROM 650 (2011-2016)



10mm



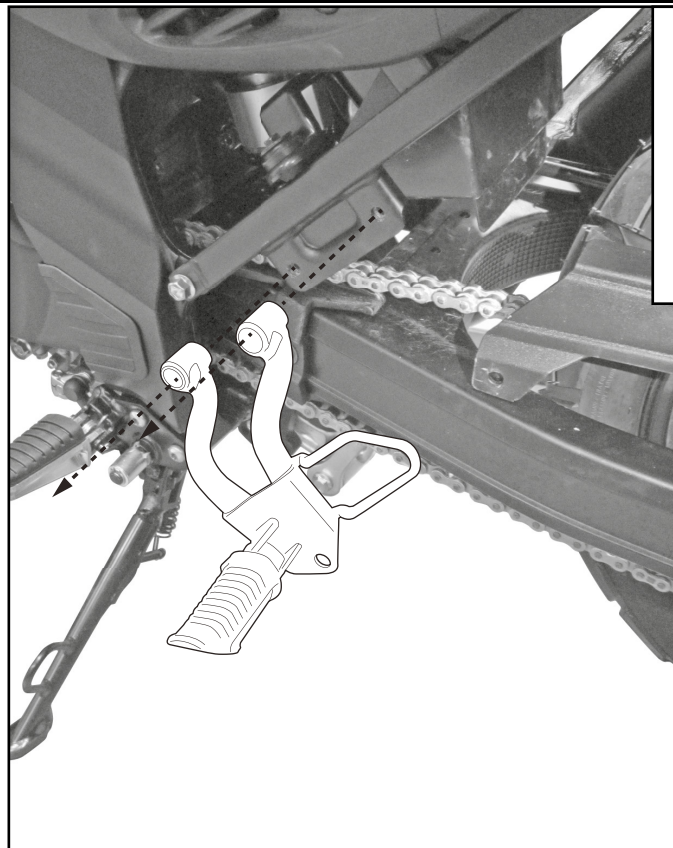
3mm



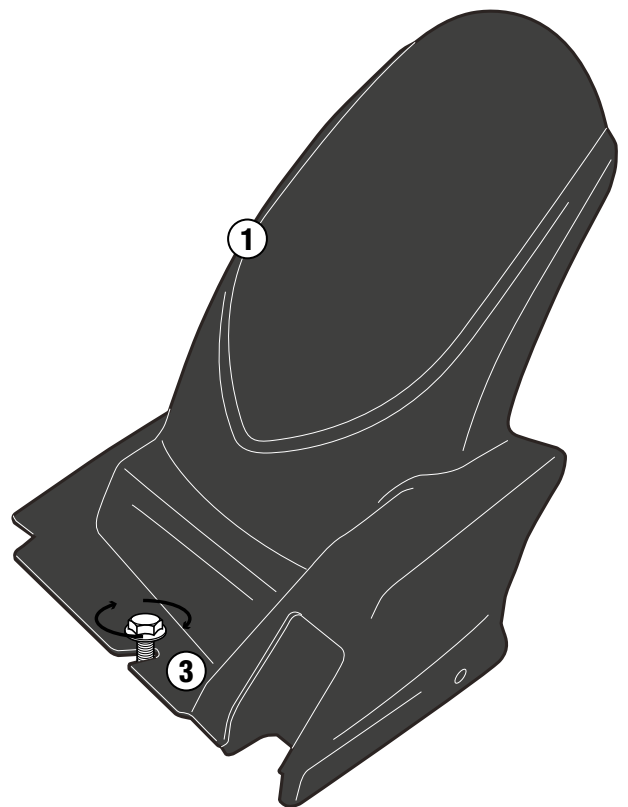
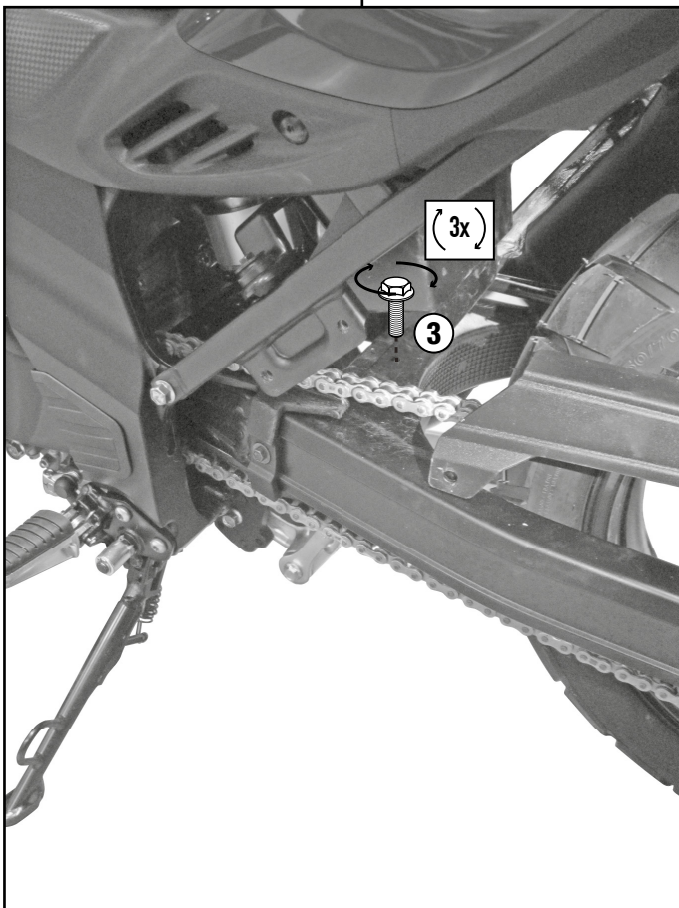
MG532 - KMG532 / MG3101 - KMG3101

PARAFANGO / COPRICATENA - MUDGUARD / CHAIN-COVER - PASSAGE DE ROUE / PAER-CHAINE
KETTENSCHUTZ - GUARDABARROS / CUBRECADENA - PARALAMA

SUZUKI V-STROM 650 (2004 - 2011) - SUZUKI V-STROM 650 (2017) / SUZUKI V-STROM 650 (2011 - 2016)



TOGLIERE
REMOVE
ENLEVER
ENTFERNEN
QUITAR
REMOVER



MG532 - KMG532 / MG3101 - KMG3101

PARAFANGO / COPRICATENA - MUDGUARD / CHAIN-COVER - PASSAGE DE ROUE / PAER-CHAINE
KETTENSCHUTZ - GUARDABARROS / CUBRECADENA - PARALAMA

SUZUKI V-STROM 650 (2004 - 2011) - SUZUKI V-STROM 650 (2017) / SUZUKI V-STROM 650 (2011 - 2016)

