

RP3117 - RP3117K

PARACOPPA - OIL CARTER PROTECTOR - SABOT MOTEUR - SPEZIFISCHER MOTORSCHUTZ - CUBRE CARTER

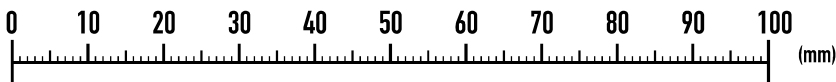
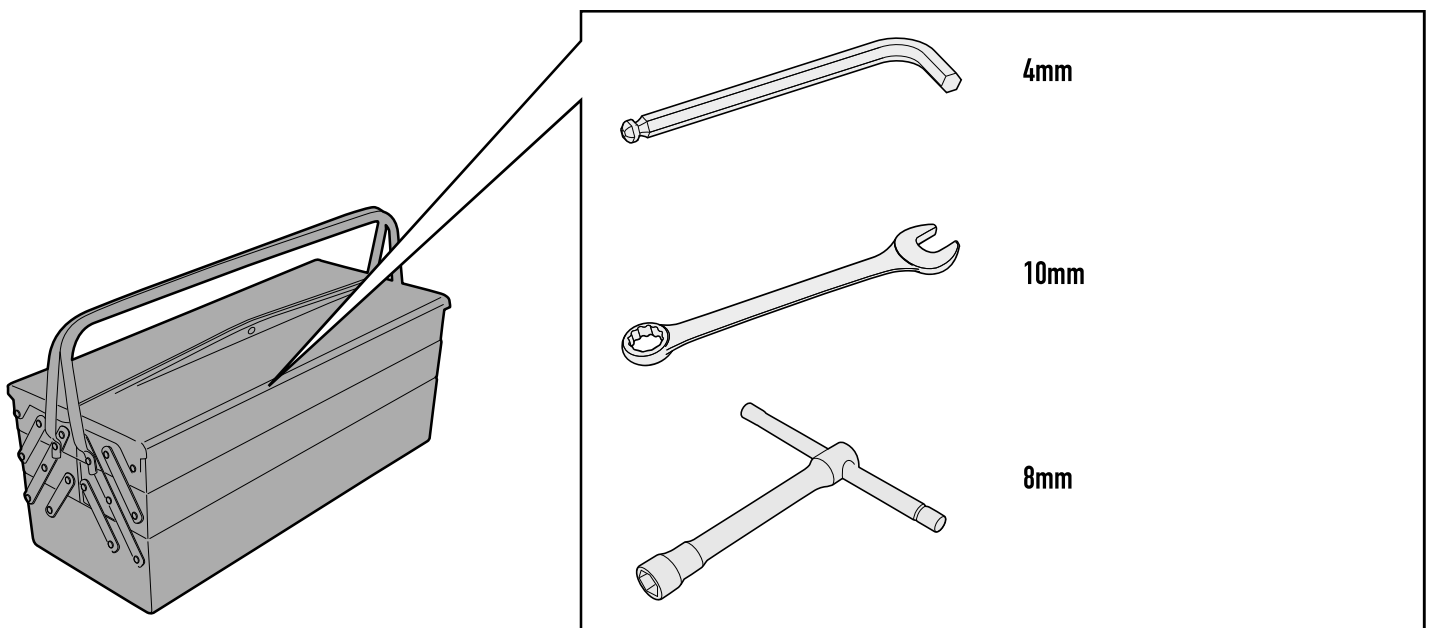
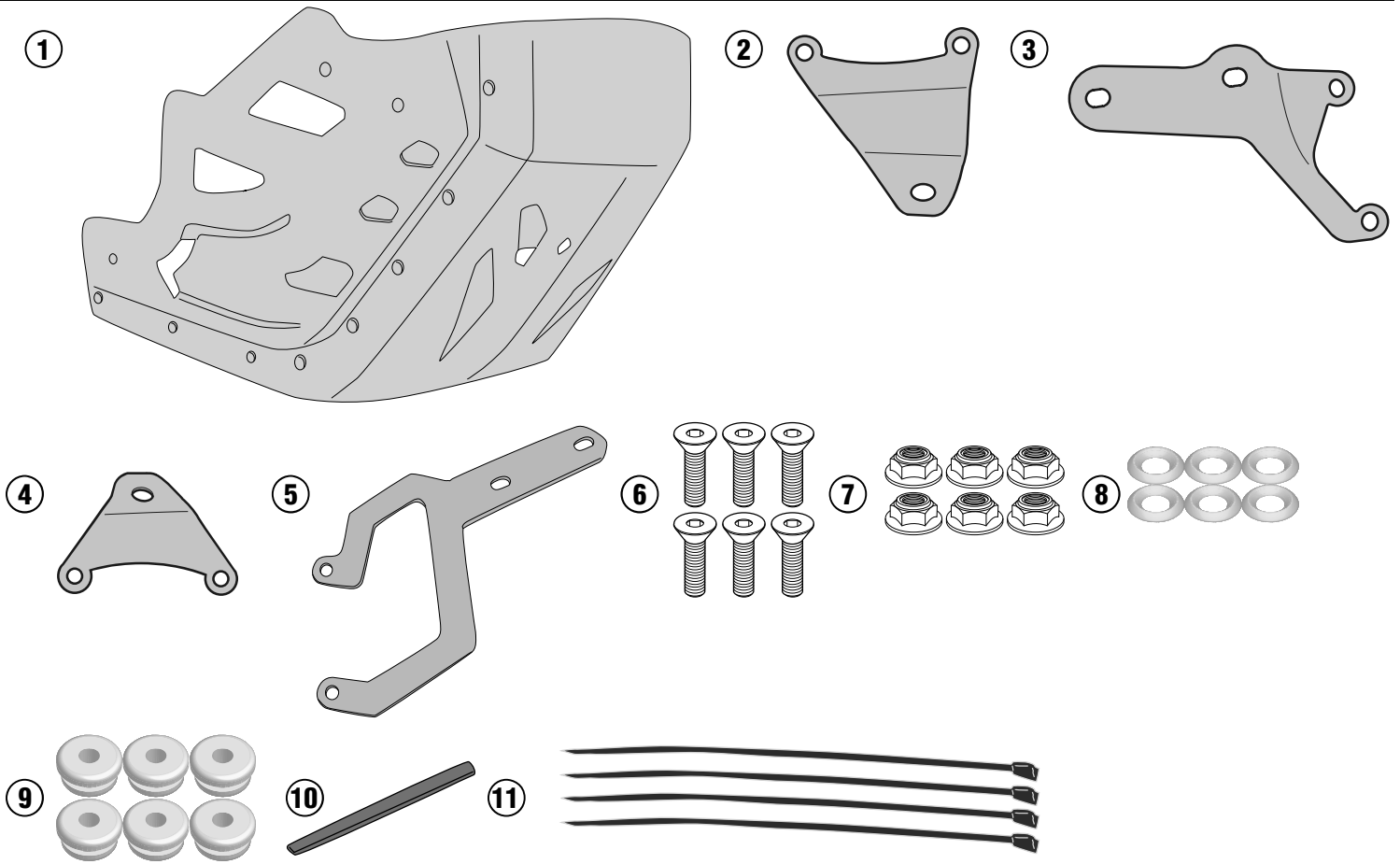
SUZUKI V-STROM 1050 (2020)

N°	Descrizione/Description	Caratteristiche/Features	Codice/Code	Quantità/Quantity
1	Paracoppa - Oil Carter Protector Sabot Moteur - Spezifischer Motorschutz Cubre Carter	-	RP3117V	1
2	Supporto - Support Support - Halterung Soporte - Apoio	Fe360 Sp. 1,5mm	GL2715V	1 (Rear Left)
3	Supporto - Support Support - Halterung Soporte - Apoio	Fe360 Sp. 1,5mm	GL2716V	1 (Front Left)
4	Supporto - Support Support - Halterung Soporte - Apoio	Fe360 Sp. 1,5mm	GL2717V	1 (Rear Right)
5	Supporto - Support Support - Halterung Soporte - Apoio	Fe360 Sp. 1,5mm	GL4415V	1 (Front Right)
6	Vite - Screw Vis - Schraube Tornillo - Parafuso	TSPX M6x20 INOX	620TSPX	6
7	Dado - Bolt - Erou Mutter - Tuerca - Porca	Dado Auto Bloccante Flangiato Ribassato M6	6DADIABFL	6
8	Rondella - Washer Rondelle - Scheibe Arandela - Arruela	INOX	200RON	6
9	Gommino - Fairleader Chaumard - Gummi Goma - Borracha	-	Z269	6
10	Gomma Protettiva - Protective Rubber Pads Protection En Caoutchouc - Schutzgummi Goma Protectora - Borracha de proteção	L. 135mm	Z2296	1
11	Fascetta - Clamp Pince - Klemme Abrazadera - Braçadeira	-	Z2413	4
12	Componenti Originali - Original Parts Parties Originales - Original Bauteile Componentes Originales - Componentes Originais	-	-	-

RP3117 - RP3117K

PARACOPPA - OIL CARTER PROTECTOR - SABOT MOTEUR - SPEZIFISCHER MOTORSCHUTZ - CUBRE CARTER

SUZUKI V-STROM 1050 (2020)

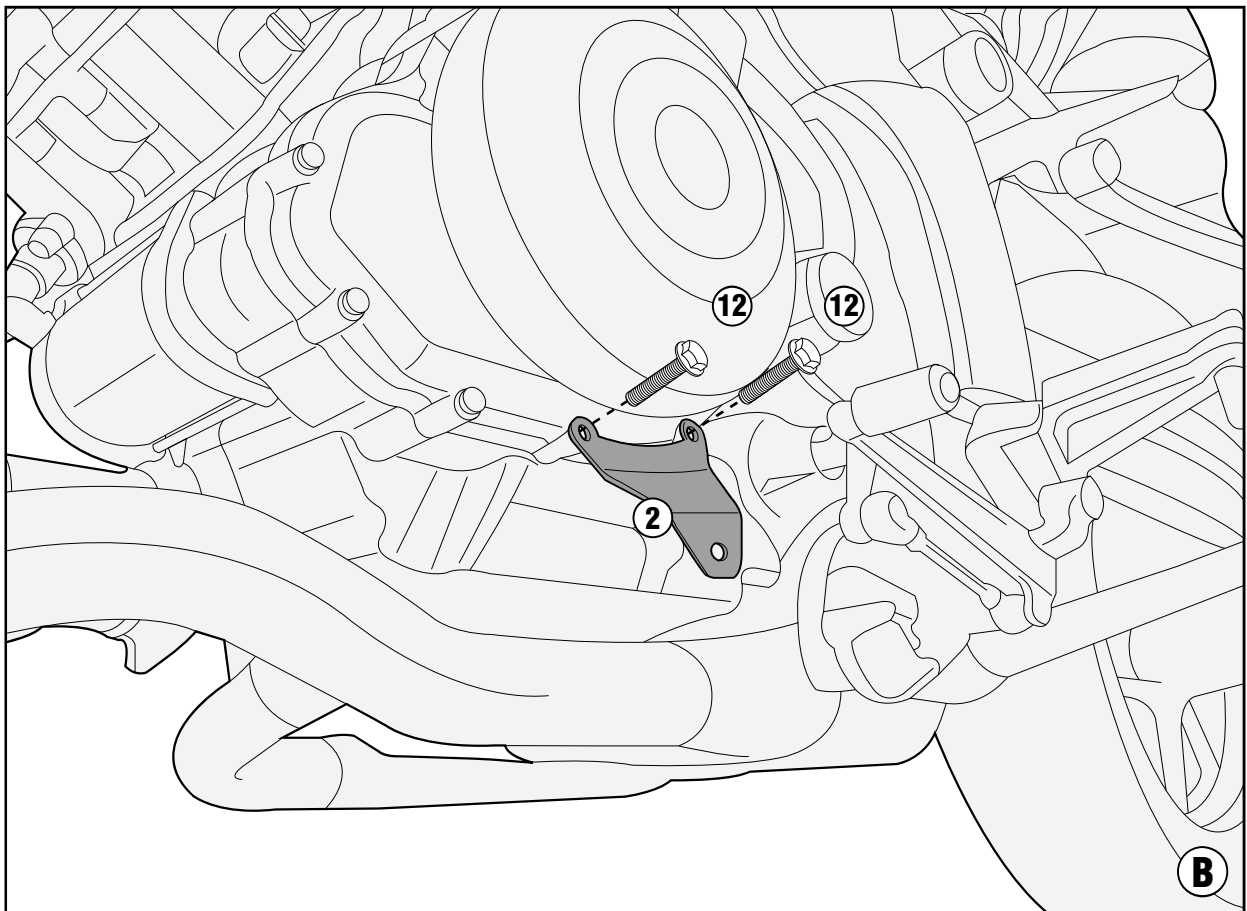
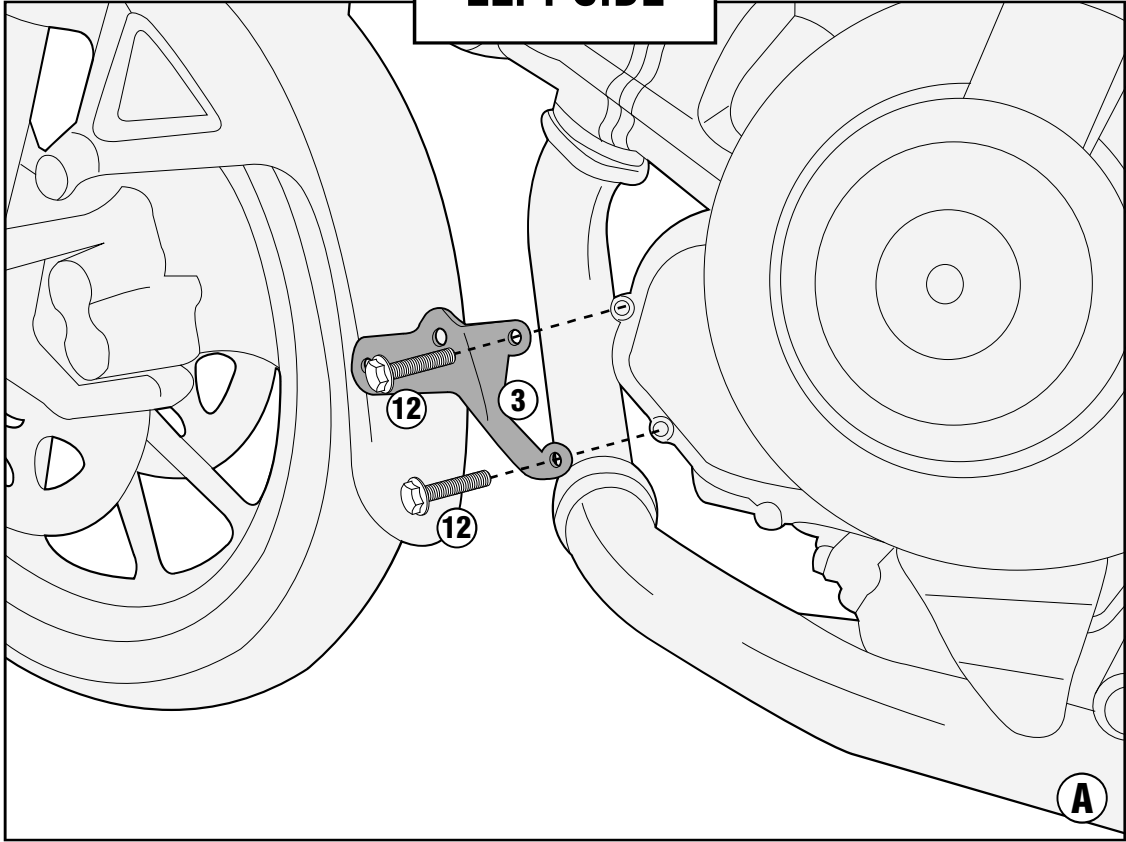


RP3117 - RP3117K

PARACOPPA - OIL CARTER PROTECTOR - SABOT MOTEUR - SPEZIFISCHER MOTORSCHUTZ - CUBRE CARTER

SUZUKI V-STROM 1050 (2020)

LEFT SIDE



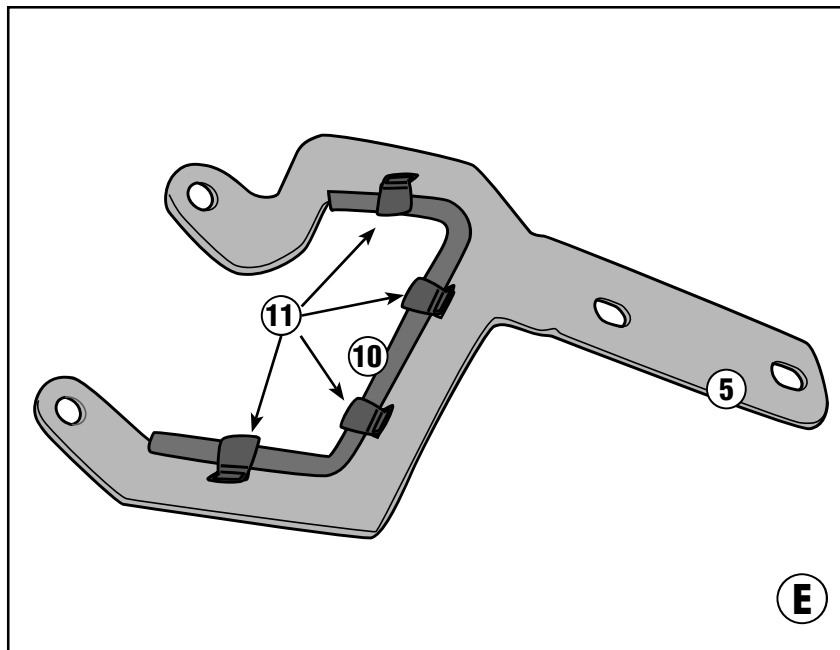
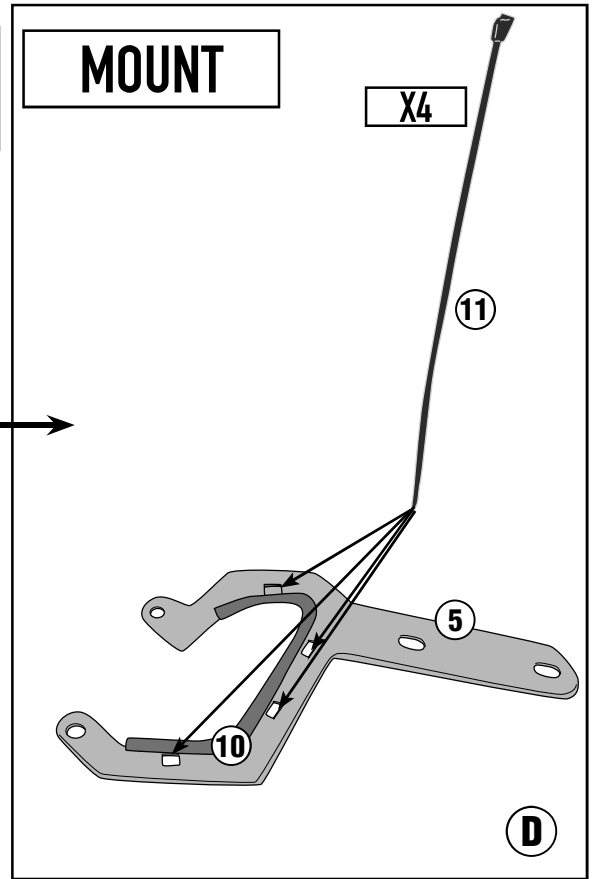
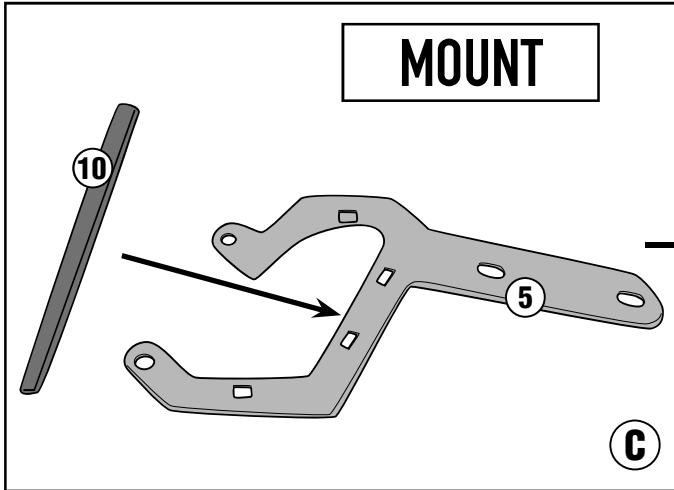
RP3117 - RP3117K

PARACOPPA - OIL CARTER PROTECTOR - SABOT MOTEUR - SPEZIFISCHER MOTORSCHUTZ - CUBRE CARTER

SUZUKI V-STROM 1050 (2020)

RIGHT SIDE

MOUNT

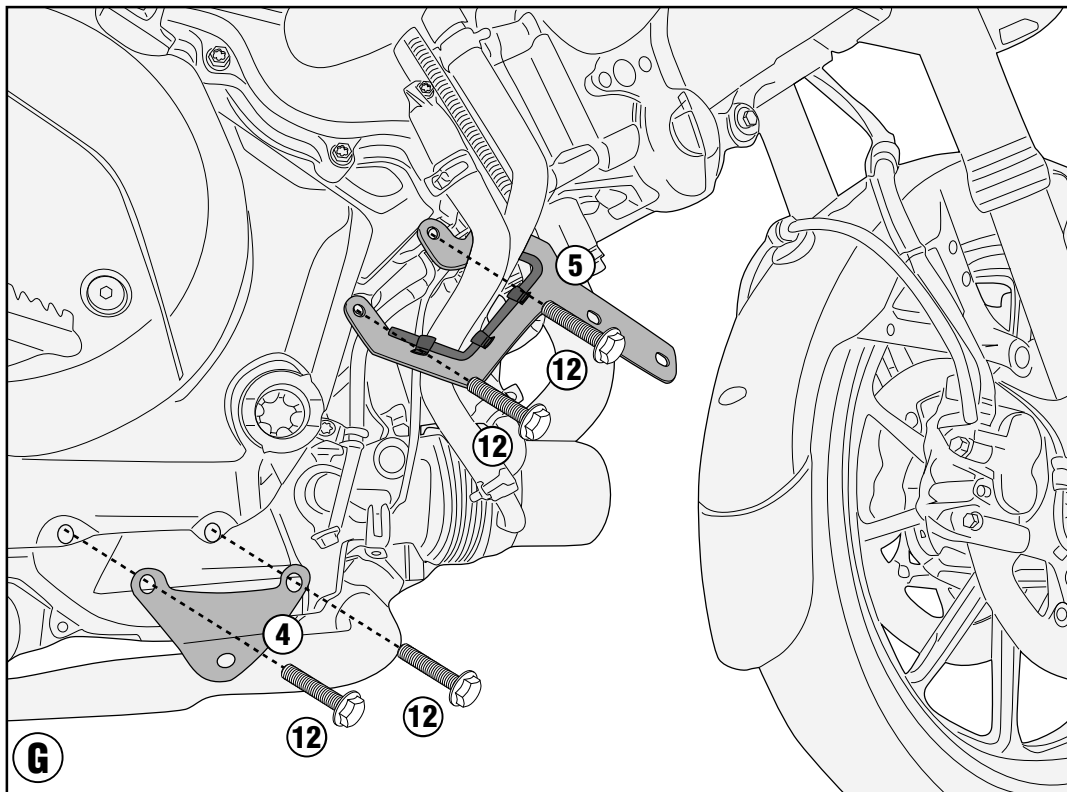
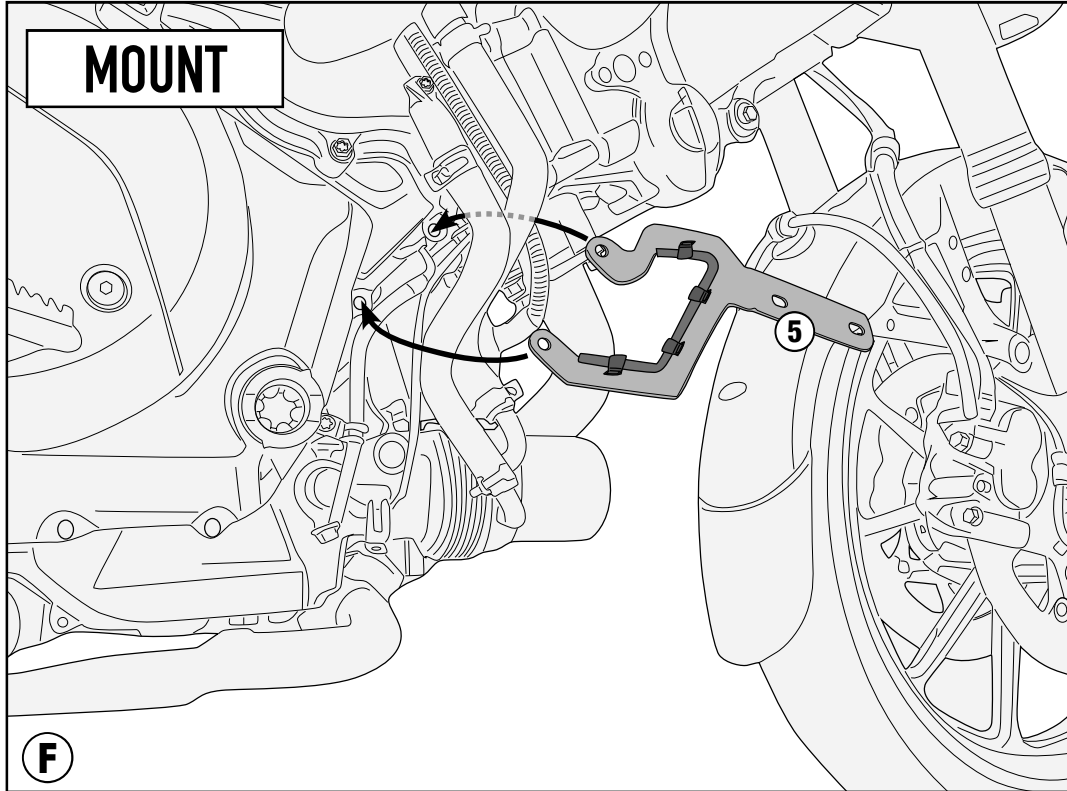


RP3117 - RP3117K

PARACOPPA - OIL CARTER PROTECTOR - SABOT MOTEUR - SPEZIFISCHER MOTORSCHUTZ - CUBRE CARTER

SUZUKI V-STROM 1050 (2020)

RIGHT SIDE



RP3117 - RP3117K

PARACOPPA - OIL CARTER PROTECTOR - SABOT MOTEUR - SPEZIFISCHER MOTORSCHUTZ - CUBRE CARTER

SUZUKI V-STROM 1050 (2020)

