

RP5129 – RP5129K

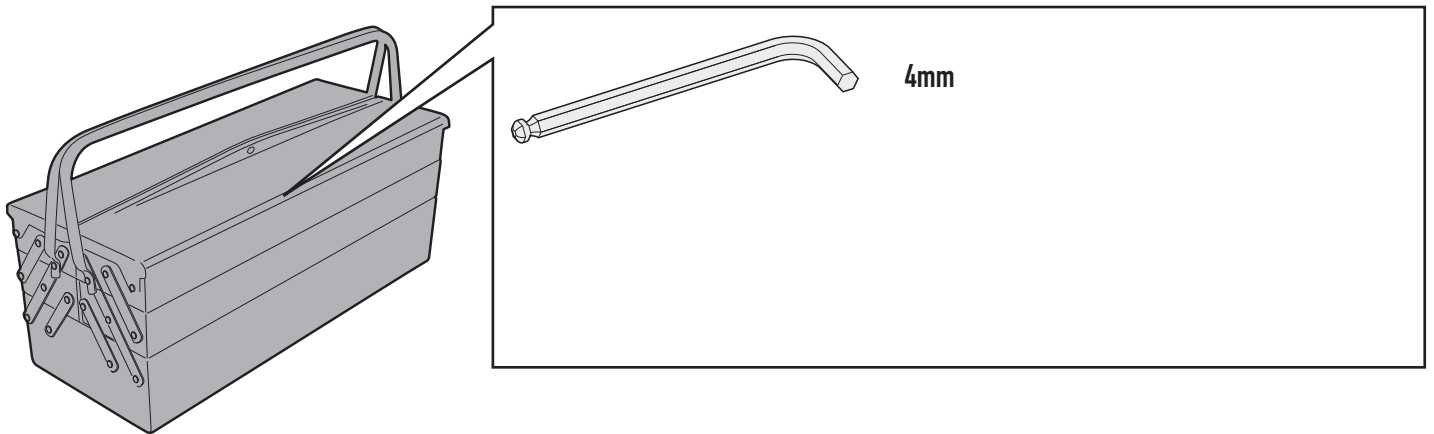
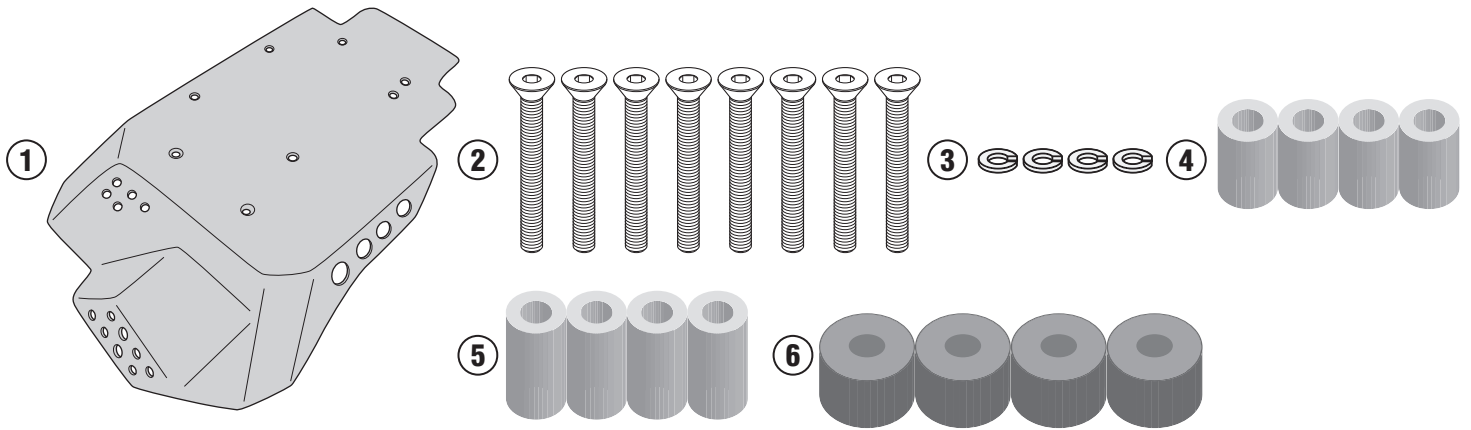
PARACOPPA – OIL CARTER PROTECTOR – SABOT MOTEUR – SPEZIFISCHER MOTORSCHUTZ – CUBRE CARTER – COBRE CARTER
BMW F750 GS (2018/2019) / BMW F850GS (2018/2019)

N°	Descrizione	Caratteristiche	Codice	Quantità
1	Paracoppa - Oil Carter Protector Sabot Moteur - Spezifischer Motorschutz Cubre Carter - Cobre Carter	-	RP5129	1
2	Vite - Screw Vis - Schraube Tornillo - Parafuso	TSP M6x45	645TSP	8
3	Rondella spaccata - Split washer Scheibe - Rondelle fendue Arandela seccionada - Arruela Dentada	Ø6	Z1063	4
4	Distanziale - Spacer Entretoise - Distanzstueck Distanciador - Espaçador	Ø16x25 Foro 8.5mm	C16L25F8,5T	4
5	Distanziale - Spacer Entretoise - Distanzstueck Distanciador - Espaçador	Ø16x32 Foro 8.5mm	C16L32F8,5T	4
6	Silent Block	M6 25x25	-	4
7	Componenti Originali - Original Parts Parties Originales - Original Bauteile Componentes Originales - Componentes Originais	ONLY FOR BMW F850GS	-	-
8	Particolari Inclusi nel RP5129KIT Components Included In The RP5129KIT Pièces Inclues Dans RP5129KIT Die Einzelnen Teile Sind Bei RP5129KIT Despieces Incluidos RP5129KIT Componentes incluidos na RP5129KIT	ONLY FOR BMW F750GS	-	-

RP5129 - RP5129K

PARACOPPA - OIL CARTER PROTECTOR - SABOT MOTEUR - SPEZIFISCHER MOTORSCHUTZ - CUBRE CARTER - COBRE CARTER

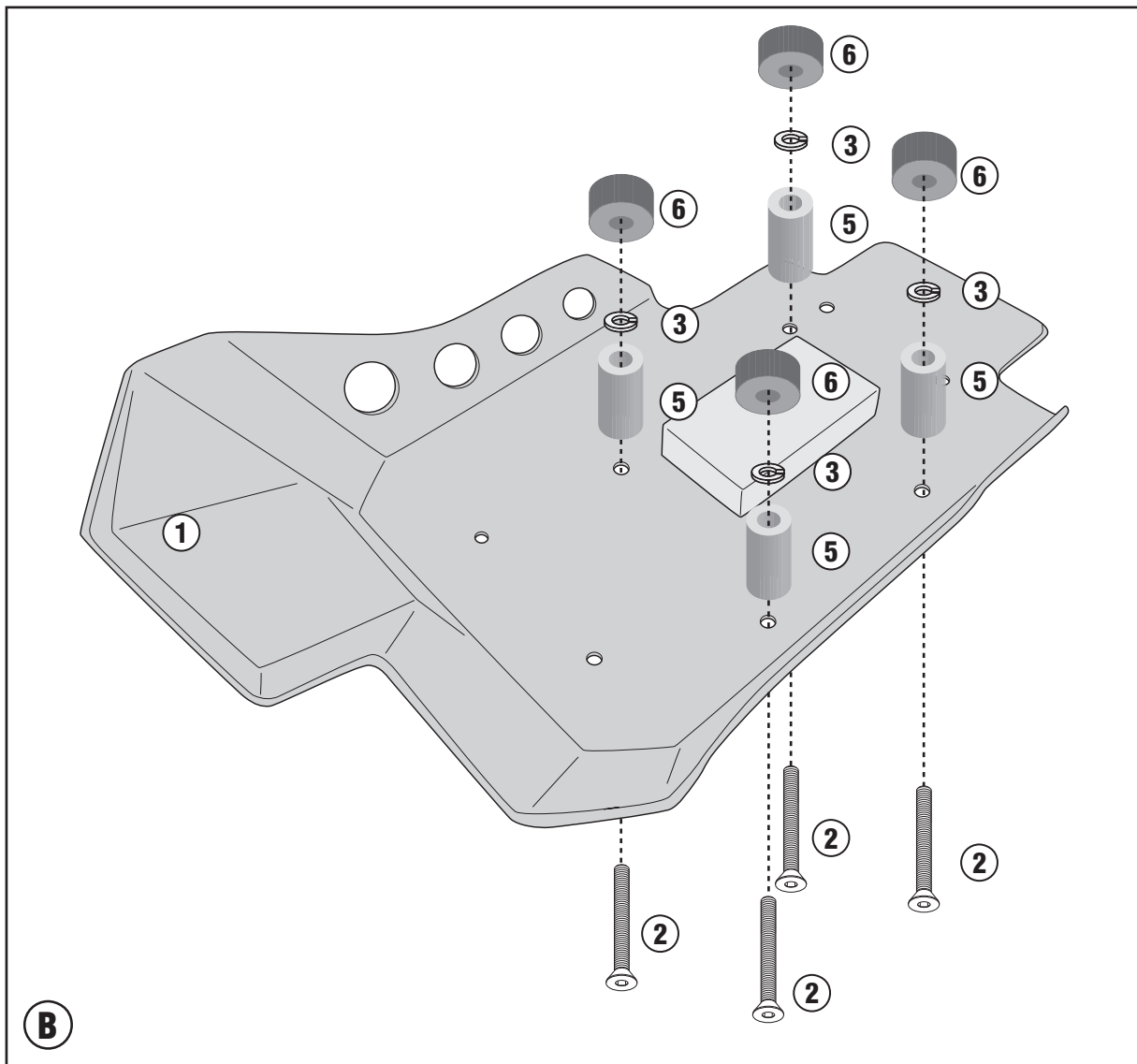
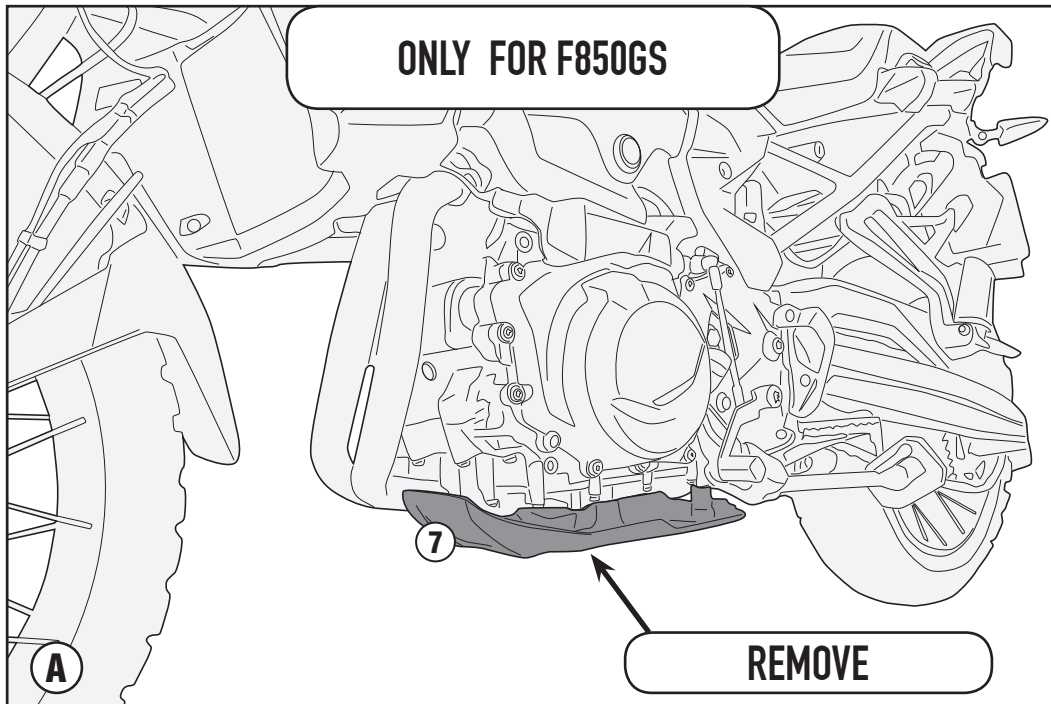
BMW F750 GS (2018/2019) / BMW F850GS (2018/2019)



RP5129 - RP5129K

PARACOPPA - OIL CARTER PROTECTOR - SABOT MOTEUR - SPEZIFISCHER MOTORSCHUTZ - CUBRE CARTER - COBRE CARTER

BMW F750 GS (2018/2019) / BMW F850GS (2018/2019)



RP5129 - RP5129K

PARACOPPA - OIL CARTER PROTECTOR - SABOT MOTEUR - SPEZIFISCHER MOTORSCHUTZ - CUBRE CARTER - COBRE CARTER

BMW F750 GS (2018/2019) / BMW F850GS (2018/2019)

