


# 1111FZ - KZ1111

MONORACK SPECIFICO - SPECIFIC MONORACK - MONORACK SPECIFIQUE - SPEZIFISCHES MONORACK - MONORACK ESPECÍFICO

## HONDA NC700X (2012)

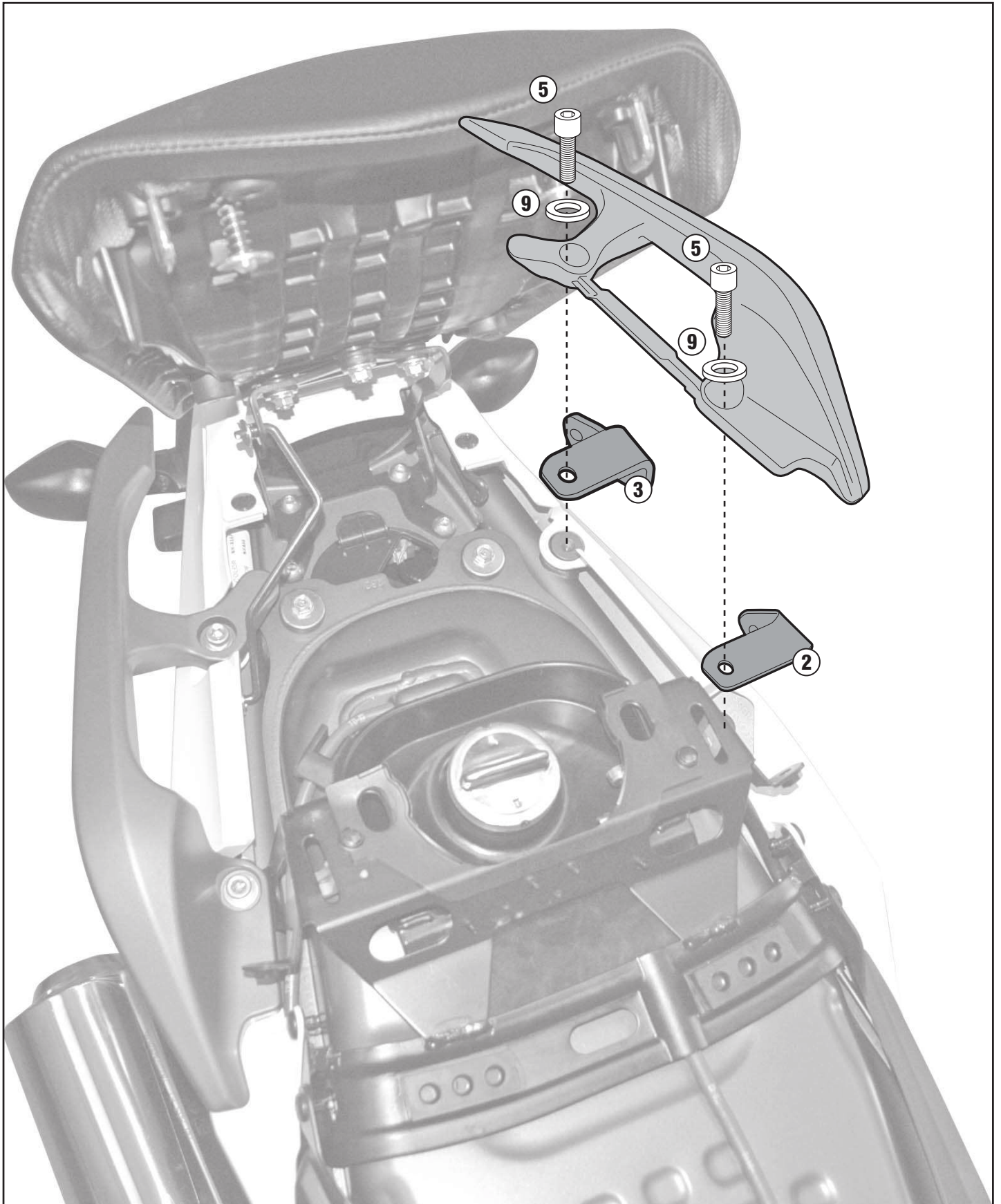
N°	Descrizione	Caratteristiche	Codice	Quantità	
1	Supporto - Blinker Support Support - Halter - Soporte	-	-	2 (Dx,Sx)	
2	Supporto - Blinker Support Support - Halter - Soporte	-	GL2101	2 (Dx,Sx)	
3	Supporto - Blinker Support Support - Halter - Soporte	-	GL2100	2 (Dx,Sx)	
4	Vite - Screw Vis - Schraube Tornillo	TCEI M8x25		4	
5	Vite - Screw Vis - Schraube Tornillo	TCEI M8x35		4	
6	Dado - Bolt - Ecrou Mutter - Tuerca	Auto Bloccante Flangiato M8		4	
7	Coprivite - Screw Cap Cache Vis - Stoppschraube Tapa Tornillo		Z801	4	
8	Particolari Inclusi Nel Kit Viteria Della Piastra Components Included In The Fitting Kit Of The Plate Pièces Incluses Dans Le Kit De Vis De La Platine Die Einzelnen Teile Sind Bei Montagekit Der Platte Enthalten Despieces Incluidos En El Kit De Anclajes De La Parrilla				
9	Componenti Originali Original Parts Parties Originales Original Bauteile Componentes Originales				



# 1111FZ - KZ1111

MONORACK SPECIFICO - SPECIFIC MONORACK - MONORACK SPECIFIQUE - SPEZIFISCHES MONORACK - MONORACK ESPECÍFICO

## HONDA NC700X (2012)



# 1111FZ - KZ1111

MONORACK SPECIFICO - SPECIFIC MONORACK - MONORACK SPECIFIQUE - SPEZIFISCHES MONORACK - MONORACK ESPECÍFICO

## HONDA NC700X (2012)

