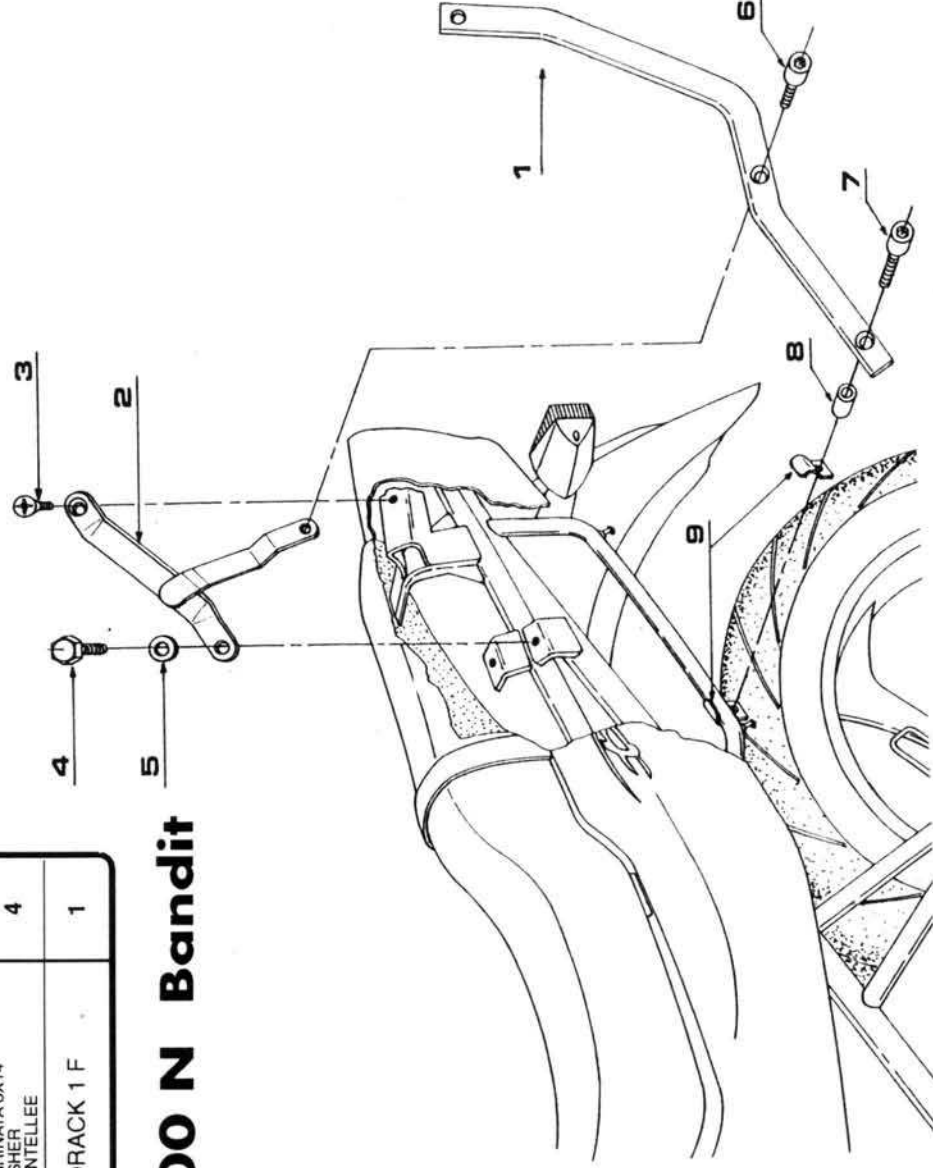
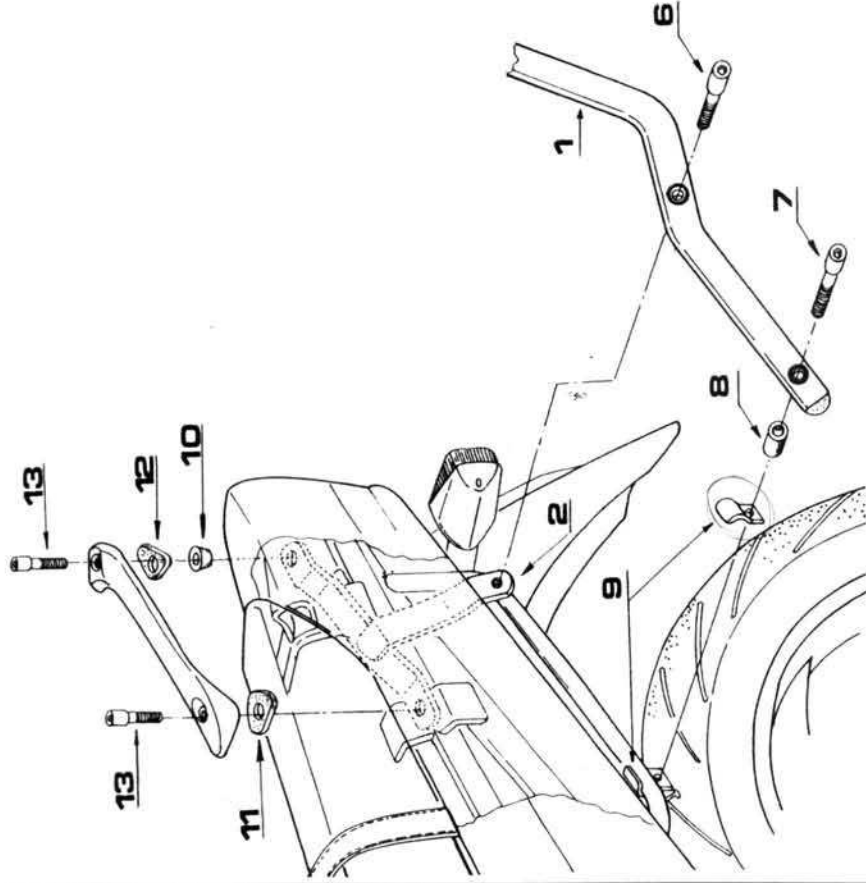


MONORACK SPECIFICO - SPECIFIC MONORACK
MONORACK SPECIFIQUE - SPECIFISCHES MONORACK - MONORACK ESPECIFICO**SUZUKI GSF600 '95/'96
BANDIT****GSF 600 S
Bandit '96**ISTRUZIONI DI MONTAGGIO - MOUNTING INSTRUCTIONS
INSTRUCCIONES DE MONTAJE - BAUANLEITUNG - INSTRUCCIONES DE MONTAJE

N°	DESCRIZIONE DEL KIT KIT DESCRIPTION DESCRIPTION DU KIT	QUANTITA' QUANTITY QUANTITE
1	MONORACK	2
2	SUPPORTO SUPPORT SUPPORT	2
3	VITE TPSC161,8 X 20 SCREW M 8 X 20 VIS M 8 X 20	2
4	VITE TE M 8 X 20 SCREW M 8 X 20 VIS M 8 X 20	2
5	RONDELLA Ø 8 WASHER Ø 8 RONDELLE Ø 8	2
6	VITE TCEI M 8 X 20 SCREW M 8 X 20 VIS M 8 X 20	2
7	VITE TCEI M 8 X 40 SCREW M 8 X 40 VIS M 8 X 40	2
8	DISTANZIALE ø 16 X 10 foro 10,5 mm COLLAR DISTANCE ø 16 x 10 COLLIER DE SEPARATION ø 16 x 10 V032	2
9	SET FASCETTA Ø 16 FORO ASOLATO CLAMP SET Ø 16 SET CRAMPON Ø 16 GN976	4
10	DISTANZIALE SVASATO SPECIALE COLLAR DISTANCE COLLIER DE SEPARATION V230	2
11	RONDELLA SPECIALE IN GOMMA ANTERIORE SPECIAL FRONT RUBBER WASHER RONDELLE SPECIALE EN CAOUTCHOUC ANTERIEURE	2
12	RONDELLA SPECIALE IN GOMMA POSTERIORE SPECIAL BACK RUBBER WASHER RONDELLE SPECIALE EN CAOUTCHOUC POSTERIEURE	2
13	VITE TCEI M 8 X 50 SCREW M 8 X 50 VIS M 8 X 50	4
14	DADO M 8 NUT M 8 ECROU M 8	2
15	RONDELLA ZIGRINATA 8X14 TOOTHED WASHER RONDELLE DENTELLE	4
16	KIT MONORACK 1 F	1

**GSF 600 N Bandit**