

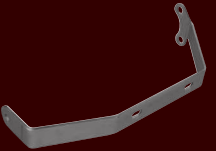










# RP2119

PARACOPPA - OIL CARTER PROTECTOR - SABOT MOTEUR - SPEZIFISCHER MOTORSCHUTZ - CUBRE CARTER

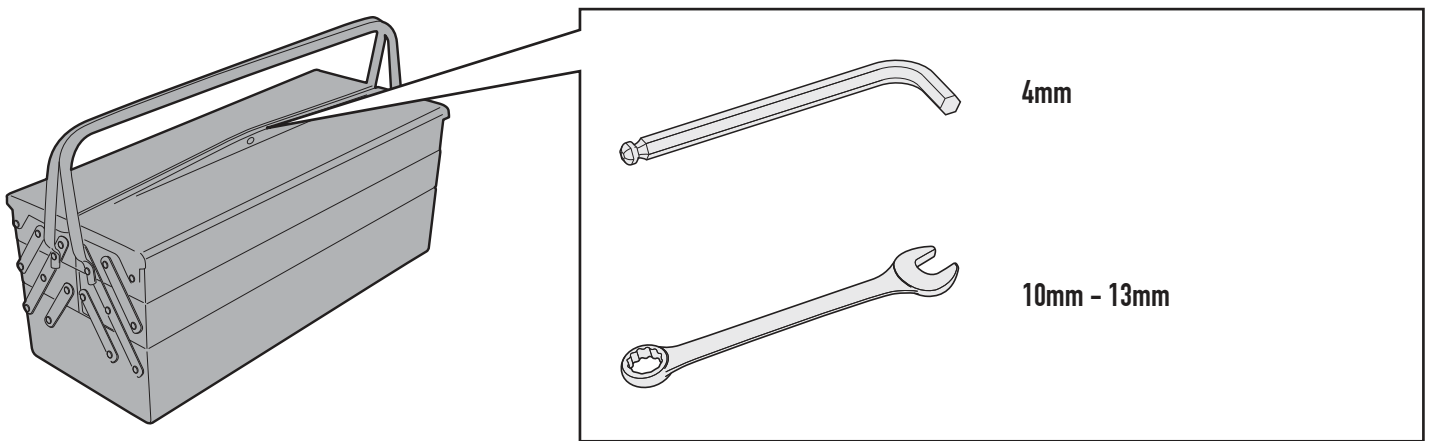
## YAMAHA XT1200ZE SUPER TENERÉ (2014)

N°	Descrizione	Caratteristiche	Codice	Quantità	
1	Paracoppa - Oil Carter Protector - Sabot Moteur - Spezifischer Motorschutz - Cubre Carter			1	
2	Supporto - Support - Support Halierung - Soporte		GL2207	1	
3	Supporto - Support - Support Halierung - Soporte	Sp. 4mm	GL2663	1	
4	Vite - Screw Vis - Schraube Tornillo	TCEI M6x25	825TCEI	2	
5	Vite - Screw Vis - Schraube Tornillo	TE M8x20	820TE	2	
6	Vite - Screw Vis - Schraube Tornillo	TBEI M8x20	820TBEI	2	
7	Dado - Bolt - Ecrou Mutter - Tuerca	Auto Bloccante Flangiato M8	8DADIAFLN	4	
8	Rondella - Washer Rondelle - Scheibe Arandela	Zigrinata Ø8	814RONZ	2	
9	Rondella - Washer Rondelle - Scheibe Arandela	Ø8x16	816RON	2	
10	Rondella - Washer Rondelle - Scheibe Arandela	Ø8x14	814RON	2	
11	Componenti Originali - Original Parts Parties Originales - Original Bauteile Componentes Originales				
12	Distanziale - Spacer Entretoise - Distanzstueck Distanciador	Ø10x9.8 foro 8.2mm	V044	2	

# RP2119

PARACOPPA - OIL CARTER PROTECTOR - SABOT MOTEUR - SPEZIFISCHER MOTORSCHUTZ - CUBRE CARTER

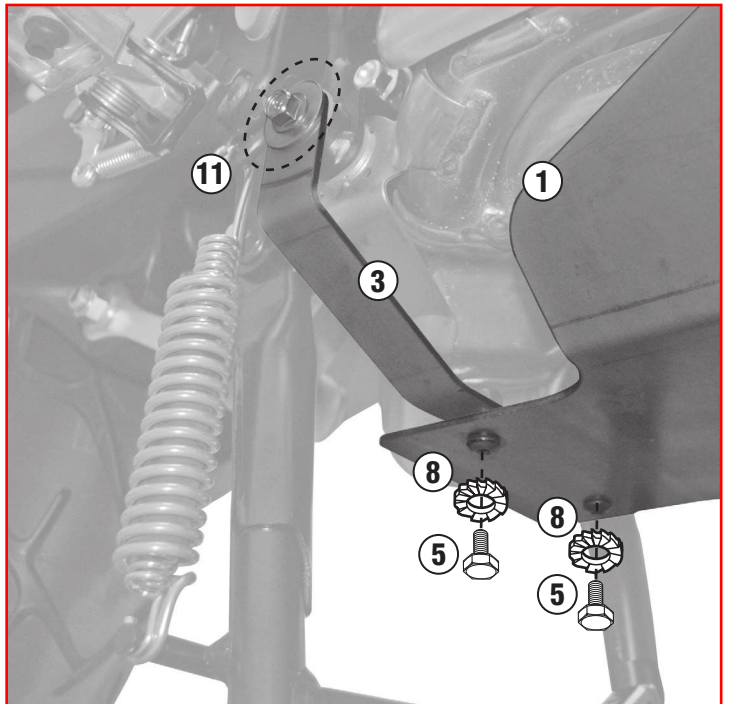
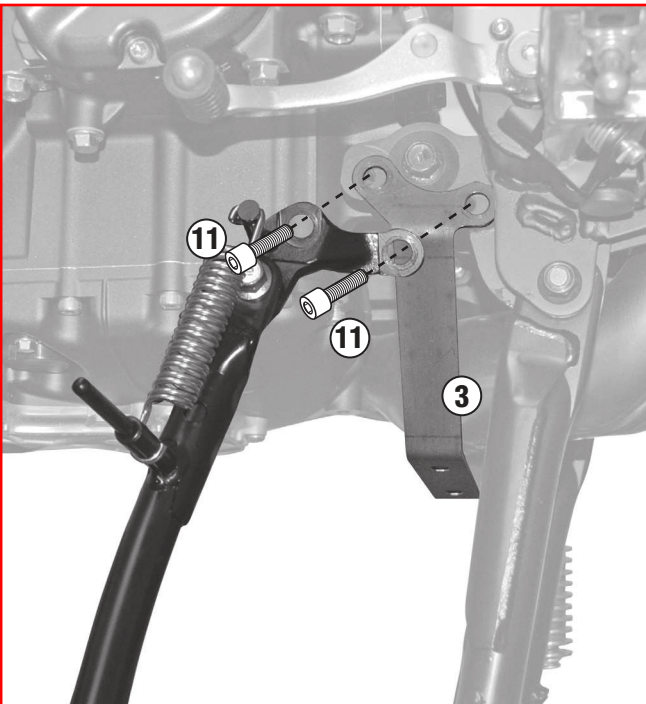
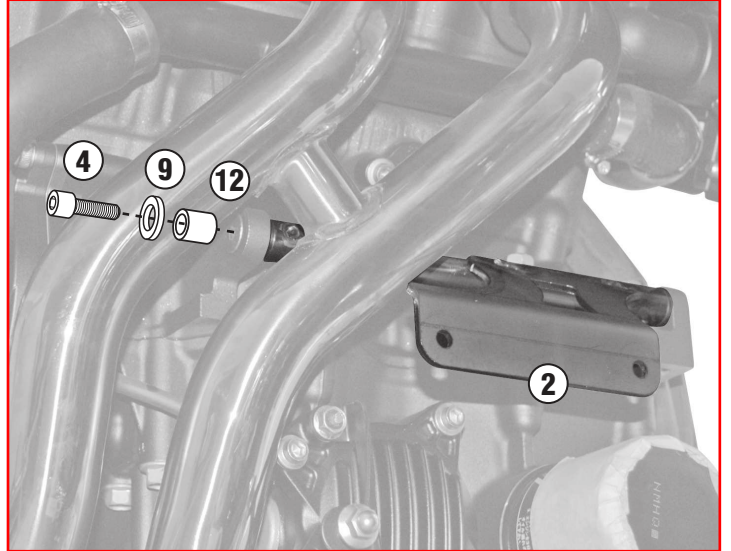
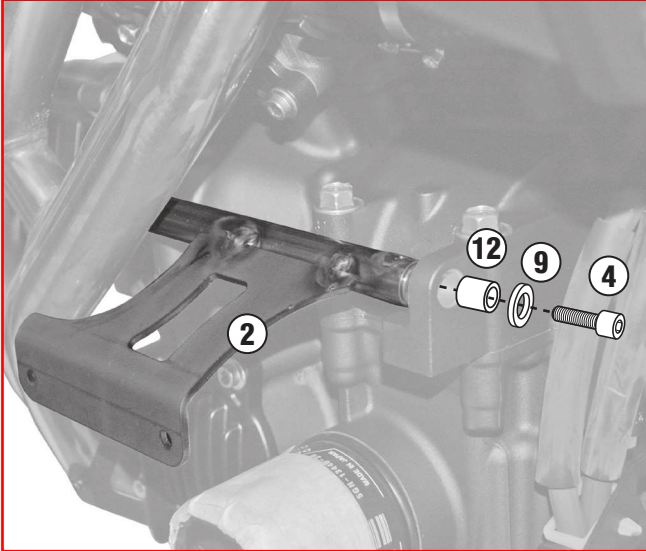
## YAMAHA XT1200ZE SUPER TENERÉ (2014)



# RP2119

PARACOPPA - OIL CARTER PROTECTOR - SABOT MOTEUR - SPEZIFISCHER MOTORSCHUTZ - CUBRE CARTER

## YAMAHA XT1200ZE SUPER TENERÉ (2014)



# RP2119

PARACOPPA - OIL CARTER PROTECTOR - SABOT MOTEUR - SPEZIFISCHER MOTORSCHUTZ - CUBRE CARTER

## YAMAHA XT1200ZE SUPER TENERÉ (2014)

